

Oxygen

Oxygen Flowmeters

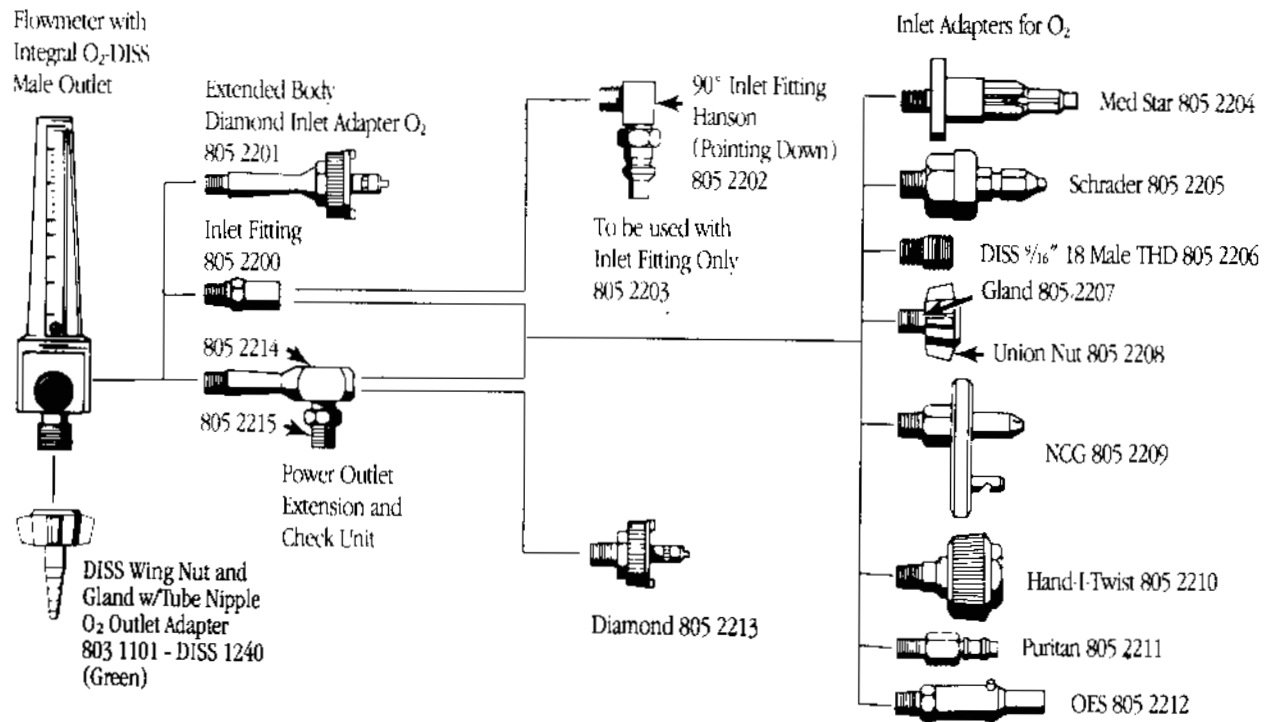
These 2000 series flowmeters a patented relief mechanism for increased protection to both operator and equipment in the event of over-pressurization. A flowmeter tube and casing made of clear, impact-resistant Lexan® and a new DYNASTEM™ extended life flowmeter stem system for precise flow settings.

Gas Service	Model Number	Flow Range	Inlet	DISS Outlet
Oxygen	805 2081	1-8 LPM	1/4" MPT	1240
	805 2082	1-8 LPM	1/8" FPT	1240
	805 2083	1-8 LPM	9/16" 18M	1240
	805 2270	1-8 LPM	Hand-I-Twist	1240
	805 2271	1-8 LPM	Union Nut & Gland	1240
	805 2272	1-8 LPM	Schrader	1240
	805 2273	1-8 LPM	Med Star	1240
	805 2274	1-8 LPM	Diamond Short & Power Outlet	1240
	805 2275	1-8 LPM	Diamond Long	1240
	805 2276	1-8 LPM	OES	1240
	805 2277	1-8 LPM	Puritan	1240
	805 2278	1-8 LPM	Diamond Short	1240
	805 2279	1-8 LPM	NCG	1240
	805 2151	1-15 LPM	1/4" MPT	1240
	805 2152	1-15 LPM	1/8" FPT	1240
	805 2153	1-15 LPM	9/16" 18M	1240
	805 2290	1-15 LPM	Hand-I-Twist	1240
	805 2291	1-15 LPM	Union Nut & Gland	1240
	805 2292	1-15 LPM	Schrader	1240
	805 2293	1-15 LPM	Med Star	1240
	805 2294	1-15 LPM	Diamond Short & Power Outlet	1240
	805 2295	1-15 LPM	Diamond Long	1240
	805 2296	1-15 LPM	OES	1240
	805 2297	1-15 LPM	Puritan	1240
	805 2298	1-15 LPM	Diamond Short	1240
	805 2299	1-15 LPM	NCG	1240



Oxygen

Oxygen Flowmeters Inlet and Outlet Adapters



NOTE: Inlet on flowmeter is 1/8" NPT F
Outlet on inlet adapters is 1/8" NPT M