

Point of Use Equipment



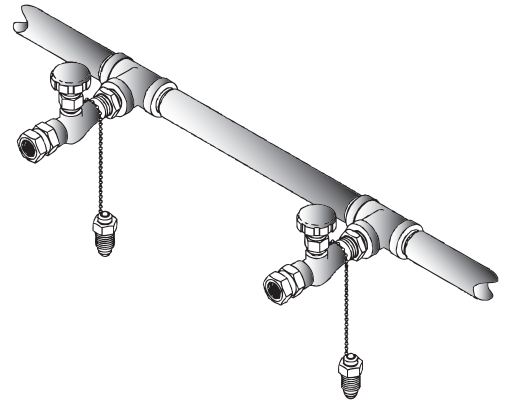
Hardware/Fittings



801-0257 Shown

Station Outlet Valves

Used in low pressure distribution systems to insure line pressure is maintained. These valves have 1/4" NPT male inlets for universal mounting. They have high flow capacity, up to 200 CFH Argon at 30 PSIG.



Plug and Chain assembly is a separate option.

Gas Service	Service Stock No.	Inlet	Outlet	Max Rating (PSI)	Plug and Chain (To Cap Valve)
Oxygen	801-0257	1/4" NPT Ext.	9/16"-18 RH Ext.	250	801-0265
Fuel Gas	801-0258		9/16"-18 LH Ext.		801-0266
Inert Gas	801-0259		5/8"-18 RH Int.		801-0267
General	801-0379		1/4" NPT Int.		--



Flow Adapters

Used for pipeline and fixed-pressure regulators, these flow adapters eliminate the need for flowmeters. The 1/4" NPT male inlets enable them to be used with station valves or in regulator outlets. Flow adapters come in a wide range of orifice sizes assuring maximum adaptability of flows.

Orifice Size	Stock No.	Argon Flow* CFH	Helium Flow * CFH	CO2 Flow* CFH	AG-75** Flow* CFH	Nitrogen Flow* CFH
0.010	830-1977	4	12	3.5	6.6	4.5
0.014	830-1978	6.3	20	6	11	7.6
0.016	830-1979	8	25	7.5	14	9.5
0.018	830-1971	10	31.5	9.5	17.5	12
0.02	830-1984	11.4	36	10.5	20	13.5
0.021	830-1972	15	47.5	14.3	26	18
0.025	830-1973	20	63.2	19	35	24
0.028	830-1985	22.5	72	21	40	27
0.031	830-1974	30	95	28	52.5	36
0.035	830-1975	40	126.5	38	60	47.5
0.04	830-1976	50	158	47.5	88	60