

629 Series MicroManifold

ASSIST GAS SUPPLY

*Maximize
Liquid Cylinder
Performance*

High Flow Capacity



629-1163-580 Shown

The 629 Series MicroManifold is a flexible gas distribution system that can be configured as a gas or vent manifold. Configured as a gas manifold, the 629 offers excellent gaseous flow capacity from either liquid cans or high-pressure cylinders to a CONCOA pressure control device. Configured as a vent manifold, the 629 equalizes the head space pressure of each liquid cylinder manifolded together. This allows each cylinder to withdraw equally and operate at maximum flow capacity with minimal losses.

Advanced Features

- *Vent Manifold Excess Flow Orifices*
Prevents pigtails from whipping
- *Safety Disk*
Protects manifold from over-pressurization
- *Compact Modular Design*
Provides simple field expandability
- *Multiple Cylinder Hose Options*
Universal gas compatibility
- *Integrated 1/2" MPT Connector*
Reduces potential leak sites
- *Flexible Design*
Can be used with a 600 Series switchover or a 623 Series delivery system

Applications

Materials

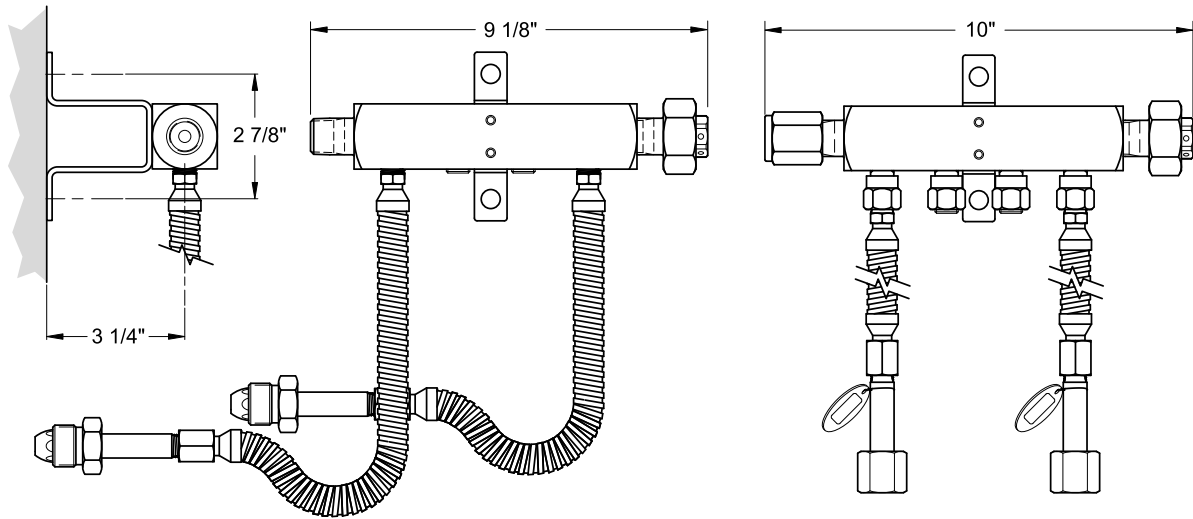
Specifications

<p><i>Assist Gas Delivery from Liquid Cylinder Supply</i> Nitrogen Oxygen</p> <p><i>Assist Gas Delivery from High Pressure Supply</i> Air Nitrogen Oxygen</p> <p><i>Metal Fabrication On-Site Mixing Systems</i> Argon Carbon Dioxide Helium Nitrogen Oxygen</p>	<p><i>Body</i> Brass barstock body</p>	<p><i>Maximum Inlet Pressure</i> 4,500 PSIG (310 BAR)</p> <p><i>Temperature Range</i> 0 to 140°F (-18 to 60°C)</p> <p><i>Inlet Connection</i> Four 1/4" FPT One 1/2" FPT</p> <p><i>Outlet Connection</i> 1/2" MPT</p> <p><i>Weight (manifold and mounting bracket)</i> 4.20 lbs. (1.91 kg)</p>
--	--	--

CONCOA

1501 Harpers Road • Virginia Beach, VA 23454 USA
1.800.225.0473 • 757.422.8330 • Fax: 757.422.3125 • www.concoa.com

Installation Dimensions



629-1151-580 MicroManifold

629-21A2-001 Vent MicroManifold

Ordering Information

629	A	B	C	D	CB	Inlet	Options
Series 629	Manifold Type	Orientation	Pigtail Style	Cyls./Side		Connection	Options
	1: MicroManifold (No Gauges) 2: Vent MicroManifold (No Gauges) 3: MicroManifold (600 PSI/BAR Gauges) 4: MicroManifold* (600 PSI/BAR P/S Gauges) 5: MicroManifold (4,000 PSI/BAR Gauges) 6: MicroManifold* (4,000 PSI/BAR P/S Gauges) 7: MicroManifold (6,000 PSI/KPA Gauges) 8: MicroManifold* (6,000 PSI/BAR Gauges) <i>*Required for Alarm Capability</i>	0: Simplex (right bank) 1: Simplex (left bank) 2: Duplex (right and left bank) 3: Simplex (right bank with P/S)* 4: Simplex (left bank with P/S)* 5: Duplex (right and left bank with P/S)* <i>*Required for Alarm Capability</i>	0: No Pigtails 1: 36" Rigid Brass* 2: 24" Rigid Copper* 3: 72" Flexible Stainless Steel Core and Armor Cased* 4: 24" Flexible Stainless Steel-braided with PTFE lining* 5: 36" Flexible Stainless Steel Core and Armor Cased* 6: 36" Flexible Stainless Steel-braided with PTFE lining* 7: 24" Flexible Stainless Steel Core and Armor Cased* 9: 72" Flexible Stainless Steel-braided with PTFE lining* A: 72" Flexible Stainless Steel-braided with PTFE lining Inert or CO ₂ †† B: 72" Flexible Stainless Steel-braided with PTFE lining Oxygen†† C: 24" Flexible Stainless Steel-braided with PTFE Core* D: 36" Flexible Stainless Steel-braided with PTFE Core* E: 72" Flexible Stainless Steel-braided with PTFE Core* K: 72" Flexible Stainless Steel Core and Armor Cased 4,500 PSI† L: 36" Flexible Stainless Steel Core and Armor Cased 4,500 PSI† <i>*Valid with A=1,3,4,5 and 6 †Valid with A=1, 7 and 8 ††Valid with A=2</i>	1: One 2: Two 3: Three 4: Four 5: Five 6: Six 7: Seven 8: Eight		Please specify inlet connection Use -001 for pigtail options 0, A or B CGA DIN 477 BS 341 and others available	F: Integral Pigtail flashback arrester

Related Options

Option	Order No.	Description
Burst Disk Kit	829-9960	½" MPT replacement burst disk kit
Floor Stand	830-7437	Single manifold floor stand provides support for up to two consecutive manifold extensions

CONCOA

1501 Harpers Road • Virginia Beach, VA 23454 USA

1.800.225.0473 • 757.422.8330 • Fax: 757.422.3125 • www.concoa.com