

493 Series Regulator

*Single Stage
Piston-Sensed
Ultra-High
Pressure*



493-5952 shown

*316L Stainless Steel
Barstock Body*

Typical Applications

- Airplane strut charging
- Research and development laboratories
- Chemical manufacturing
- Aerospace hydraulic systems
- Pharmaceutical manufacturing
- Gauge calibration

Advanced Features

- 316L stainless steel barstock body
Smooth surface finish
- Front and rear panel-mountable
Versatile system configuration
- Pressure ranges 0-750 to 0-6000 PSIG
Broad range of applications
- Six-port design
Flexible installation alternatives

The 493 Series regulators are intended for primary pressure control of non-corrosive gases at a maximum inlet pressure of 6000 PSIG.

Features

- *Large piston sensor*
Safely control pressures to 6000 PSIG
- *Capsule® seat*
Increased serviceability and life
- *Low wetted surface area*
Minimal purge requirements
- *Field-adjustable pressure limit*
Safeguard downstream equipment

Materials

Body
316L stainless steel barstock

Bonnet
304 stainless steel

Seat
PCTFE (3000 and 4500 PSIG inlet)
Arlon® (PEEK) (6000 PSIG inlet)

Piston
316L stainless steel

Filter
10 micron stainless steel multi-layer wire mesh

Internal Seals
Viton®

Specifications

Maximum Inlet Pressure
6000 PSIG (415 BAR)

Temperature Range
-40°F to 140°F (-40°C to 60°C)

Gauges
2½" diameter stainless steel

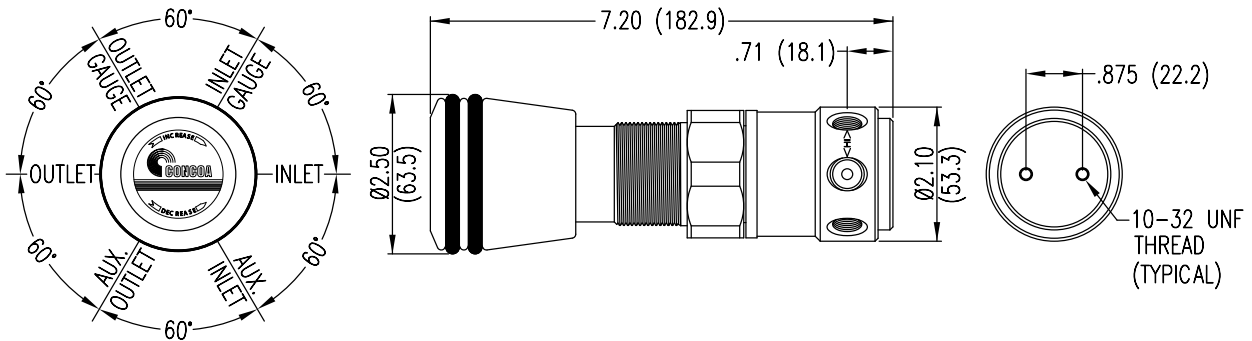
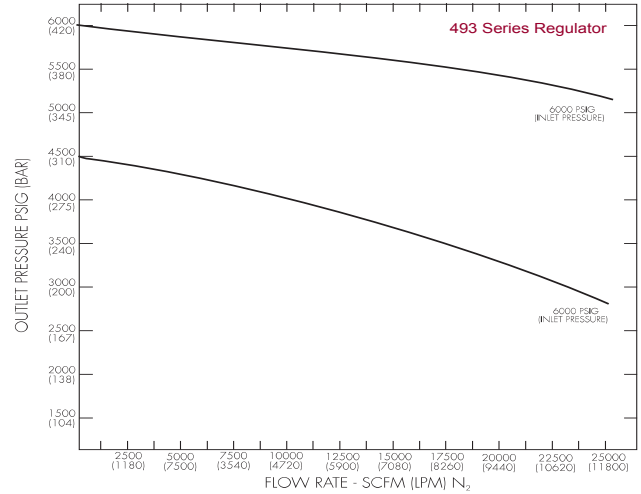
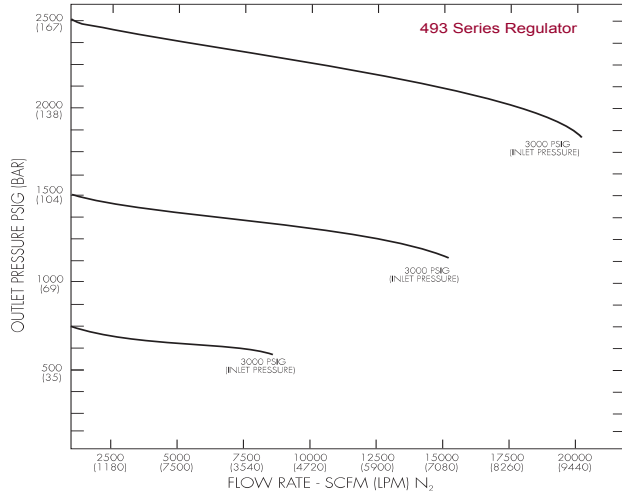
Ports
¼" FPT

Cv
0.1

Weight (493-5951-677)
4.64 lbs. (2.10 kg)

Not for N₂O, or CO₂

Flow Performance Curves



Ordering Information *(For information about how to use this table please see page 4.)*

493	A		B		C	D	-Inlet	Options
Series 493	Outlet Pressure	Outlet Gauge	Inlet Maximum	Inlet Gauge	Outlet Assemblies	Assembly/ Gauges	Inlet Connections	Installed Options
	1: 0-750 2: 0-1500 3: 0-2500 4: 0-4500* 5: 0-6000† 6: 0-3500*	0-1000 PSIG 0-4000 PSIG 0-4000 PSIG 0-6000 PSIG 0-10,000 PSIG 0-6000 PSIG	0: 6000 PSIG* 3: 3000 PSIG 8: 5500 PSIG 9: 6000 PSIG	None 0-4000 PSIG 0-6000 PSIG 0-10,000 PSIG	0: ¼" FPT 1: ¼" MPT 2: ¼" Tube 5: Needle Valve ¼" MPT 6: ⅛" Tube 7: ⅜" Tube M: 6mm Tube	0: Bare Body*† 1: Standard Assembly (PSIG/kPa Gauges) 2: Standard Assembly (BAR/PSIG Gauges)	CGA DIN 477 BS 341 and others available	A: Protocol Alarm Station (110V) B: Protocol Alarm Station (220V) C: Protocol Switchover Station G: Protocol Switchover Station with Alarm (110V) H: Protocol Switchover Station with Alarm (220V) M: Protocol Station
	*Not available with 3000 PSIG maximum inlet pressure †Only available with 6000 PSIG maximum inlet pressure		* Only valid if D=1 or 2			*6000 PSIG maximum inlet only †B must be 3, 8 or 9.		
Related Options			• Panel Mount Kit (830-6483)					

400 Series High Pressure Regulators