

484 Series Regulator

Single Stage Typical Applications

Ultra-High Flow

316L Stainless Steel Barstock Body

Four-Port Configuration

316L Stainless Steel Diaphragm

The 484 Series regulator applications are wide and varied including high flow purging, semiconductor manufacturing, manifold and line regulation.

- Ultra-high Flow
- Bulk gas distribution systems
- Gas and liquid chromatography
- High purity carrier gases
- Zero, span, and calibration gases
- High purity chamber pressurization
- Liquefied hydrocarbon gas control
- Control of cryogenic gases
- Corrosive gas service

Advanced Features

- 316L stainless steel barstock body
Smooth surface finish
- Rear panel-mountable
Versatile system configuration
- Pressure ranges 0-15 to 0-250 PSIG
Broad range of applications
- 3000 PSIG inlet pressure rating
Safe use with high pressure cylinders



484-3001 shown

400 Advantage

Materials

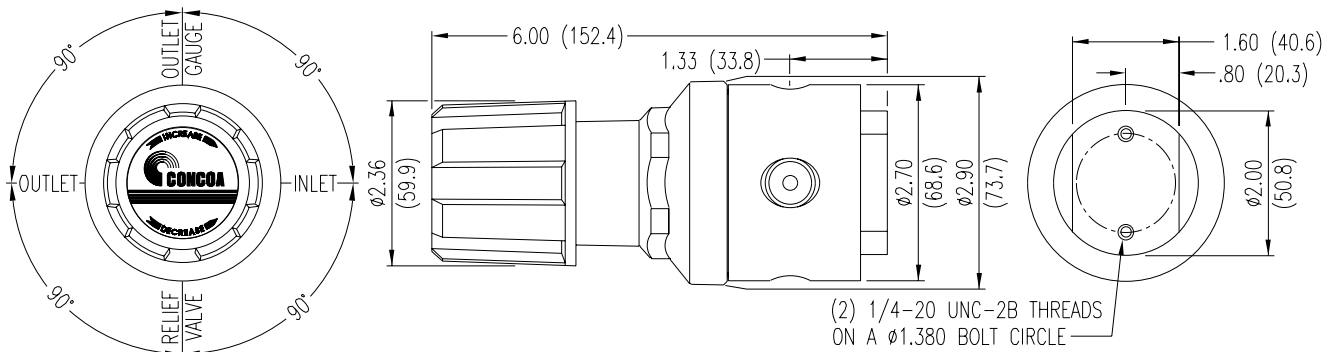
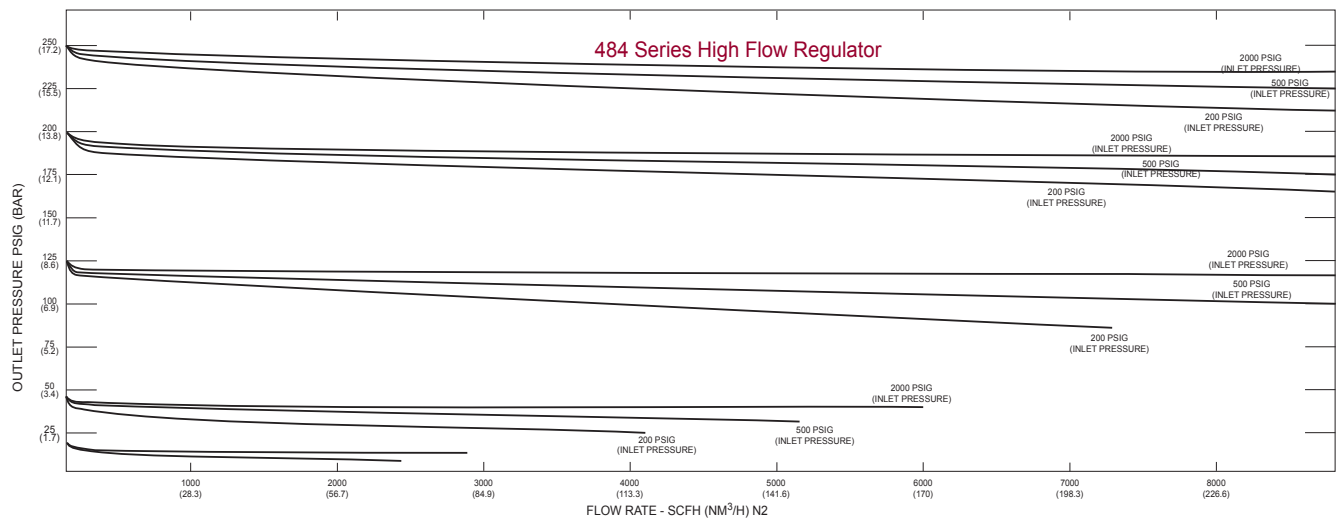
Specifications

- PTFE diaphragm seal
No possibility of gas contamination
- ISOFLOW™ technology
Internal equalization provides constant delivery pressure at high flows
- 316L stainless steel diaphragm
No inboard diffusion
- Low wetted surface area
Minimal purge requirements
- Field-adjustable pressure limit
Safeguard downstream equipment
- Pipe away relief valve
Safely vent exhaust gases

- Body**
316L stainless steel barstock
- Bonnet**
Chrome-plated die cast zinc
- Seat**
PCTFE
- Filter**
40 micron 316L stainless steel
- Diaphragm**
316L stainless steel
- Internal Seals**
PTFE

- Maximum Inlet Pressure**
3000 PSIG (210 BAR)
- Temperature Range**
-40°F to 140°F (-40°C to 60°C)
- Gauge**
2" diameter stainless steel
- Ports**
½" FPT (inlet/outlet)
¼" FPT (gauge/relief valve)
- Helium Leak Integrity**
1 x 10⁻⁸ scc/sec
- Cv**
1.0
- Weight (484-3011-TF8)**
4.52 lbs. (2.05 kg)

Flow Performance Curves



Ordering Information *(For information about how to use this table please see page 4.)*

484	A		B	C	D	-Inlet	Options
Series 484	Outlet Pressure	Outlet Gauge	Inlet Gauge	Outlet Assemblies	Assembly/ Gauges	Inlet Connections	Installed Options
	1: 0-15	0-30 PSIG	0: None	0: 1/2" FPT Port	0: Bare Body	000: 1/2" FPT	None
	2: 0-40	0-60 PSIG		1: 1/2" Tube Fitting	1: Standard Assembly (PSIG/kPa Gauges)	TF8: 1/2" Tube	
	3: 0-120	0-200 PSIG		P: 12mm Tube Fitting	2: Standard Assembly (BAR/PSIG Gauges)	M12: 12mm Tube	
	4: 0-200	0-400 PSIG					
	5: 0-250	0-400 PSIG					

400 Series High Flow Regulators