

470 Series Regulator

Brass Barstock Body
316L Stainless Steel
Diaphragm
Back Pressure
Regulator



470-3001 shown

The 470 Series regulators are intended for upstream or inlet pressure control in non-corrosive, high purity applications. Typically, the 470 Series regulators are used to provide system pressure control, acting as a highly accurate relief valve.

Typical Applications

- *Fluid sampling systems*
- *Storage vessels*
- *Gas chromatography*
- *Pump pressure control*
- *Research and development laboratories*
- *Compressors*

Advanced Features

- *Low crack to reseat deviation*
Accurate pressure control
- *Brass barstock body*
Smooth surface finish
- *Front and rear panel-mountable*
Versatile system configuration

400 Advantage

- *Metal-to-metal diaphragm seal*
No possibility of gas contamination
- *316L stainless steel diaphragm*
No inboard diffusion
- *Orientable captured vent capable*
Safety in any installation
- *Low wetted surface area*
Minimal purge requirements
- *Field-adjustable pressure limit*
Safeguard upstream equipment

Materials

Body
Brass barstock

Bonnet
Brass barstock

Seat
Viton®

Diaphragm
316L stainless steel

Internal Seals
PTFE

Specifications

Maximum Inlet Pressure
250 PSIG (17 BAR)

Temperature Range
-40°F to 140°F (-40°C to 60°C)

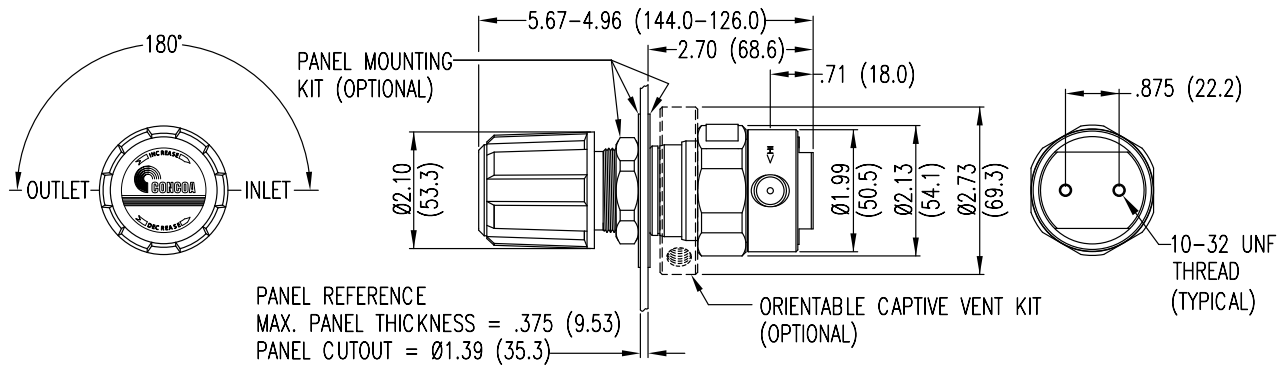
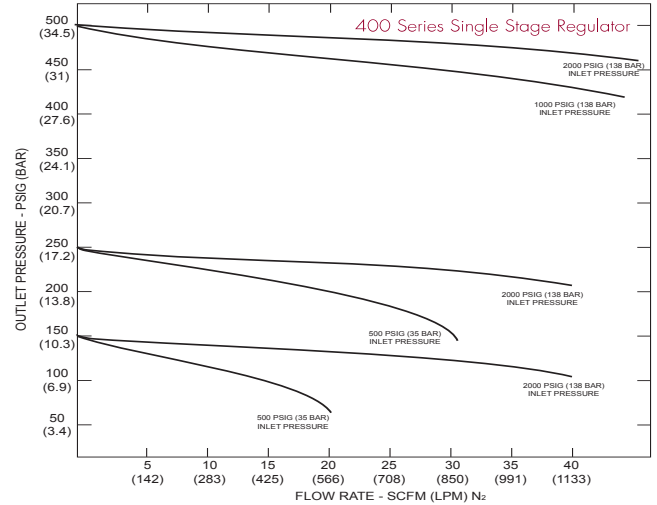
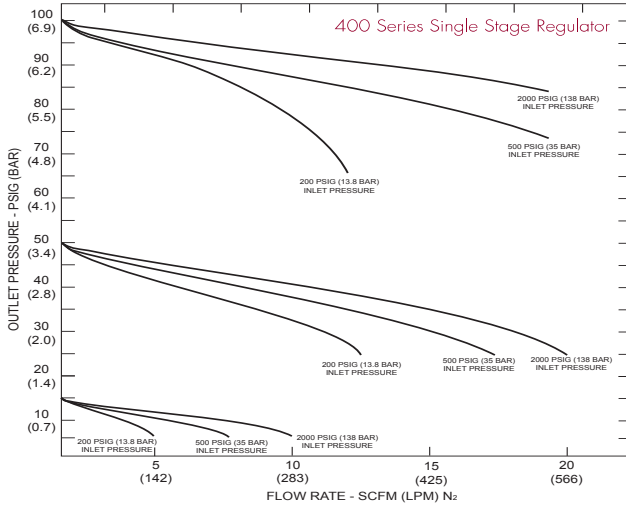
Ports
¼" FPT

Helium Leak Integrity
1 x 10⁻⁹ scc/sec

Cv
0.1

Weight (470-1021-TF4)
2.38 lbs. (1.08 kg)

Flow Performance Curves



Ordering Information *(For information about how to use this table please see page 4.)*

470	A	B	C	D	-Inlet	Options
Series 470	Relief Pressure 1: 0-15 PSIG 2: 0-50 PSIG 3: 0-100 PSIG 4: 0-250 PSIG	Inlet Gauge 0: None	Outlet Assemblies 0: ¼" FPT Port 2: ¼" Tube Fitting 6: ⅛" Tube Fitting 7: ⅜" Tube Fitting M: 6mm Tube Fitting	Assembly 1: Standard Assembly	Inlet Connections 000: ¼" FPT TF2: ⅛" Tube TF4: ¼" Tube TF6: ⅜" Tube M06: 6mm Tube	Installed Options None
Related Options		<ul style="list-style-type: none"> Panel Mount Kit (550-0002) Captured Vent Kit (550-0001) Helium Leak Certification (476-0002) 				

400 Series Back Pressure Regulators