

435 Series Regulator

CRN OH 5216.5C

Single Stage
Rear Entry
Brass Barstock Body
Five-Port Configuration
316L Stainless Steel Diaphragm

Advanced Features

- *Brass barstock body*
Smooth surface finish
- *Front and rear panel-mountable*
Versatile system configuration
- *Pressure ranges 0-15 to 0-500 PSIG*
Broad range of applications
- *3000 PSIG inlet pressure rating*
Safe use with high pressure cylinders

Typical Applications

- *Bulk gas distribution systems*
- *Gas and liquid chromatography*
- *High purity carrier gases*
- *Zero, span and calibration gases*
- *High purity chamber pressurization*
- *Liquefied hydrocarbon gas control*
- *Control of cryogenic gases*



435-2021 shown

The 435 Series regulators are intended for secondary pressure control of non-corrosive, high purity or liquefied gases or as point of use pressure control in high purity gas distribution systems.

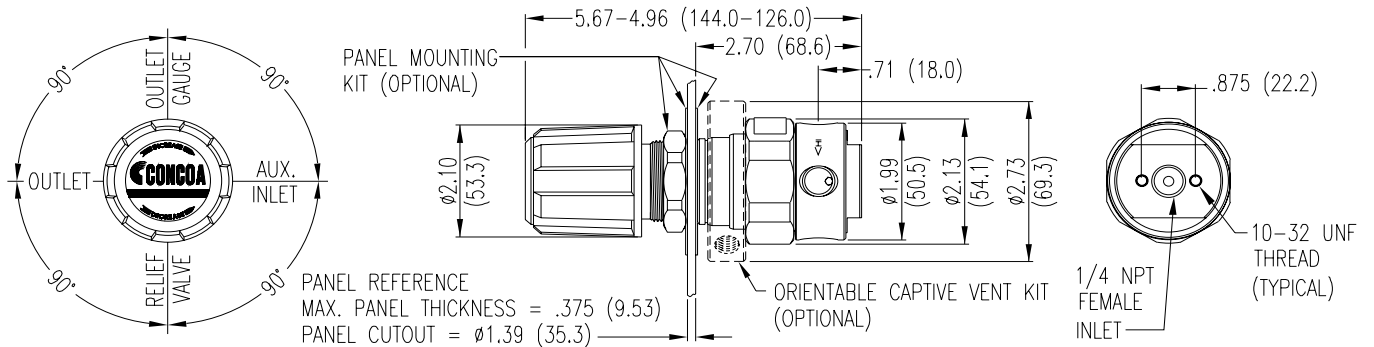
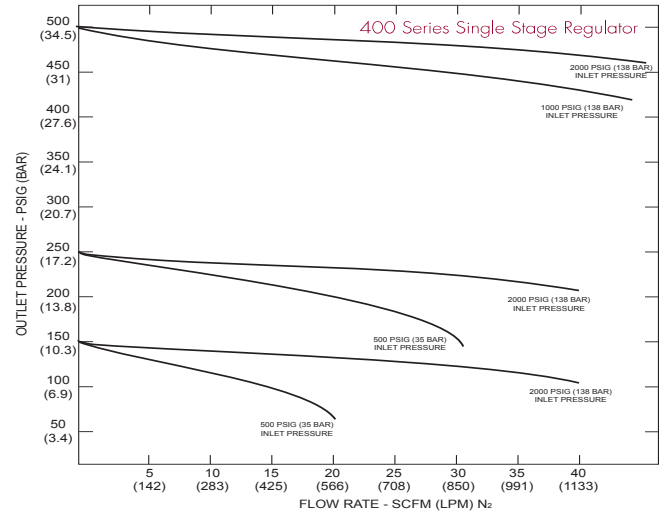
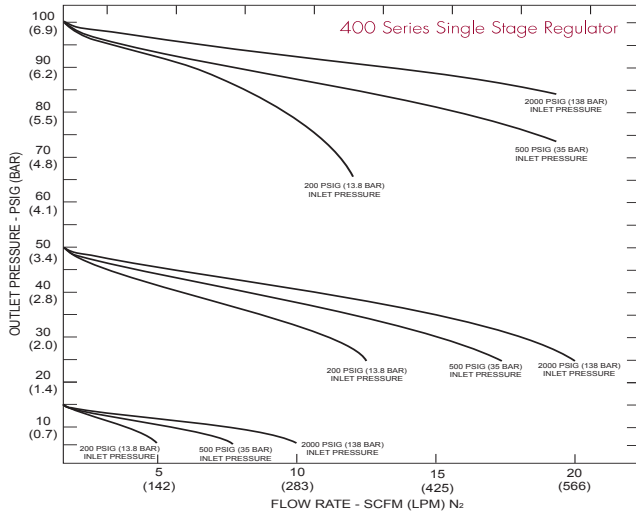
400 Advantage Materials Specifications

<ul style="list-style-type: none"> • <i>Metal-to-metal diaphragm seal</i> No possibility of gas contamination • <i>Capsule® seat</i> Increased serviceability and life • <i>316L stainless steel diaphragm</i> No inboard diffusion • <i>Orientable captured vent capable</i> Safety in any installation • <i>Low wetted surface area</i> Minimal purge requirements • <i>Field-adjustable pressure limit</i> Safeguard downstream equipment • <i>Pipe away relief valve</i> Safely vents exhaust gases 	<p><i>Body</i> Brass barstock</p> <p><i>Bonnet</i> Brass barstock</p> <p><i>Seat</i> PTFE</p> <p><i>Filter</i> 10 micron sintered bronze</p> <p><i>Diaphragm</i> 316L stainless steel</p> <p><i>Internal Seals</i> PTFE</p>	<p><i>Maximum Inlet Pressure</i> 3000 PSIG (210 BAR)</p> <p><i>Temperature Range</i> -40°F to 140°F (-40°C to 60°C)</p> <p><i>Gauge</i> 2" diameter brass</p> <p><i>Ports</i> ¼" FPT</p> <p><i>Helium Leak Integrity</i> 1 x 10⁻⁹ scc/sec</p> <p><i>Cv</i> 0.1 (Max outlet 50 PSIG or below) 0.2 (Max outlet above 50 PSIG)</p> <p><i>Weight (435-2021-TF4)</i> 2.70 lbs. (1.22 kg)</p>
--	---	--

Controls Corporation of America, Inc.

1501 Harpers Road • Virginia Beach, Virginia 23454 USA • 1.800.225.0473 • 757.422.3125 • www.concoa.com

Flow Performance Curves



400 Series Rear Inlet Regulators

Ordering Information *(For information about how to use this table please see page 4.)*

435	A	B	C	D	-Inlet	Options
Series 435 Outlet Pressure 1: 0-15 2: 0-50 3: 0-100 4: 0-250 5: 0-500** 7: 0-150 **Standard assembly does not include relief valve	Outlet Gauge 30"-0-30 PSIG 30"-0-100 PSIG 30"-0-200 PSIG 0-400 PSIG 0-1000 PSIG 30"-0-200 PSIG	Inlet Gauge 0: None	Outlet Assemblies 0: 1/4" FPT Port 1: 1/4" MPT 2: 1/4" Tube Fitting 3: Diaphragm Valve 1/4" Tube Fitting 4: Diaphragm Valve 1/4" MPT 5: Needle Valve 1/4" MPT 6: 1/8" Tube Fitting 7: 3/8" Tube Fitting 8: Diaphragm Valve 1/8" Tube Fitting 9: Diaphragm Valve 1/4" FPT M: 6mm Tube Fitting S: Diaphragm Valve 6mm Tube Fitting	Assembly/Gauges 0: Bare Body 1: Standard Assembly (PSIG/kPa Gauge) 2: Standard Assembly (BAR/PSIG Gauge) 4: Cleanroom Assembly (PSIG/kPa Gauge) 5: Cleanroom Assembly (BAR/PSIG Gauge)	Inlet Connections 000: 1/4" FPT TF2: 1/8" Tube TF4: 1/4" Tube TF6: 3/8" Tube M06: 6mm Tube	Installed Options None
Related Options		<ul style="list-style-type: none"> Panel Mount Kit (550-0002) Captured Vent Kit (550-0001) Helium Leak Certification (476-0002) 				