

432 Series Regulator

CRN OH 5216.5C

Dual Stage
316L Stainless Steel
Barstock Body
Six-Port
Configuration
316L Stainless Steel
Diaphragm



432-1331 shown

The 432 Series regulators are intended for primary pressure control of ultra-high purity or corrosive gases for applications requiring constant pressure control and delivery regardless of supply pressure variations.

Typical Applications

- EPA protocol gases
- Gas and liquid chromatography
- High purity carrier gases
- Zero, span and calibration gases
- Ultra-high purity chamber pressurization
- Corrosive gases

Advanced Features

- 316L stainless steel barstock body
Increased corrosion resistance
- Front panel-mountable
Easy installation
- 10 micron filtration in both stages
Fail-safe seat performance
- Pressure ranges 0-15 to 0-250 PSIG
Broad range of applications

400 Advantage

Materials

Specifications

- *Metal-to-metal diaphragm seal*
No possibility of gas contamination
- *Capsule® seat*
Increased serviceability and life
- *316L stainless steel diaphragm*
No inboard diffusion
- *Orientable captured vent capable*
Safety in any installation
- *Low wetted surface area*
Minimal purge requirements
- *Field-adjustable pressure limit*
Safeguard downstream equipment
- *Pipe away relief valve*
Safely vents exhaust gases

Body
316L stainless steel barstock

Bonnet
Chrome-plated brass barstock

Seat
PTFE
PCTFE with 4500 PSIG inlet option

Filter
10 micron stainless steel multi-layer mesh

Diaphragm
316L stainless steel

Internal Seals
PTFE

Maximum Inlet Pressure
3000 PSIG (210 BAR)
4500 PSIG (310 BAR) optional

Temperature Range
-40°F to 140°F (-40°C to 60°C)

Gauges
2" diameter stainless steel

Ports
¼" FPT

Helium Leak Integrity
1 x 10⁻⁹ scc/sec

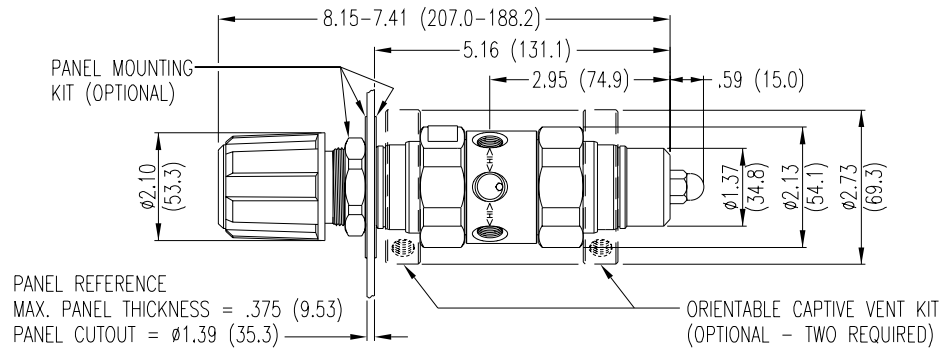
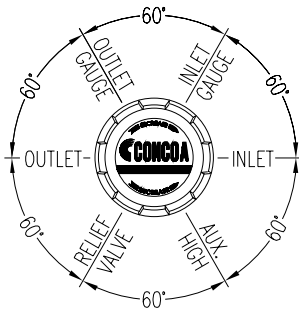
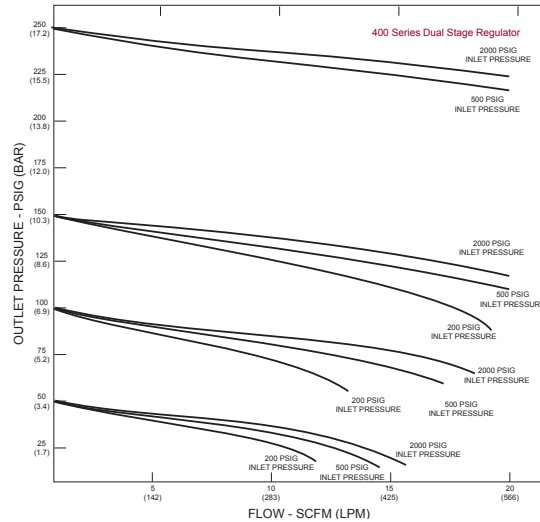
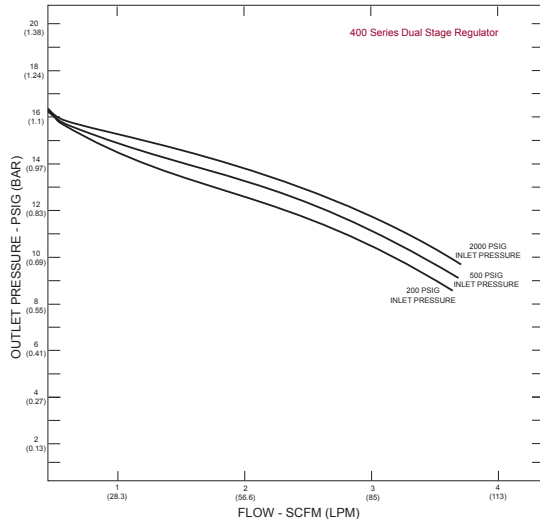
Cv
0.1

Weight (432-2021-580)
5.09 lbs. (2.31 kg)

Controls Corporation of America, Inc.

1501 Harpers Road • Virginia Beach, Virginia 23454 USA • 1.800.225.0473 • 757.422.3125 • www.concoa.com

Flow Performance Curves



400 Series Stainless Regulators

Ordering Information *(For information about how to use this table please see page 4.)*

432	A	B	C	D	-Inlet	Options	
Series 432	Outlet Pressure 1: 0-15 2: 0-50 3: 0-100 4: 0-250 7: 0-150	Outlet Gauge 30"-0-30 PSIG 30"-0-100 PSIG 30"-0-200 PSIG 0-400 PSIG 30"-0-200 PSIG	Inlet Gauge 0: None 3: 0-4000 PSIG 5: 0-1000 PSIG 6: 0-300 PSIG 7: 0-400 PSIG 8: 0-6000 PSIG*	Outlet Assemblies 0: ¼" FPT Port 1: ¼" MPT 2: ¼" Tube Fitting 3: Diaphragm Valve ¼" Tube Fitting 4: Diaphragm Valve ¼" MPT 5: Needle Valve ¼" MPT 6: ⅛" Tube Fitting 7: ⅜" Tube Fitting 8: Diaphragm Valve ⅛" Tube Fitting 9: Diaphragm Valve ¼" FPT M: 6mm Tube Fitting S: Diaphragm Valve 6mm Tube Fitting	Assembly/ Gauges 0: Bare Body 1: Standard Assembly (PSIG/kPa Gauges) 2: Standard Assembly (BAR/PSIG Gauges) 4: Cleanroom Assembly (PSIG/kPa Gauges) 5: Cleanroom Assembly (BAR/PSIG Gauges)	Inlet Connections 000: ¼" FPT TF2: ⅛" Tube TF4: ¼" Tube TF6: ⅜" Tube M06: 6mm Tube CGA DIN 477 BS 341 and others available	Installed Options A: Protocol Alarm Station (110V) B: Protocol Alarm Station (220V) C: Protocol Switchover Station D: Deep Purge* G: Protocol Switchover Station with Alarm (110V) H: Protocol Switchover Station with Alarm (220V) M: Protocol Station R: Glass Coated S: Stainless Steel Bonnet *Not available w/ 4500 PSIG max inlet pressure

Related Options

- Panel Mount Kit (550-0002)
- Captured Vent Kit (550-0001)
- Helium Leak Certification (476-0002)
- Passivation for Fluorine Service

Controls Corporation of America, Inc.

1501 Harpers Road • Virginia Beach, Virginia 23454 USA • 1.800.225.0473 • 757.422.3125 • www.concoa.com