

426 Series Regulator

CRN OH 5216.5C

Low Dead Volume
316L Stainless Steel
Barstock Body
Two-Port
Configuration



426-3001 shown

316L Stainless Steel
Diaphragm

The 426 Series regulators are intended for secondary pressure control of ultra-high purity and corrosive gases or as point-of-use pressure control in ultra-high purity gas distribution systems.

Typical Applications

- Bulk gas distribution systems
- Gas and liquid chromatography
- Ultra-high purity carrier gases
- Zero, span, and calibration gases
- High purity chamber pressurization
- Liquefied hydrocarbon gas control
- Control of cryogenic gases
- Corrosive gases

Advanced Features

- 316L stainless steel barstock body
Increased corrosion resistance
- Front and rear panel-mountable
Versatile system configuration
- Pressure ranges 0-15 to 0-500 PSIG
Broad range of applications
- 3000 PSIG inlet pressure rating
Safe use with high pressure cylinders

400 Advantage

Materials

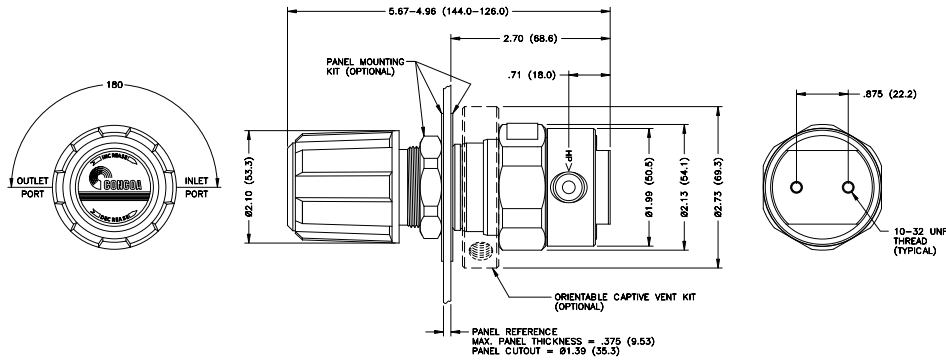
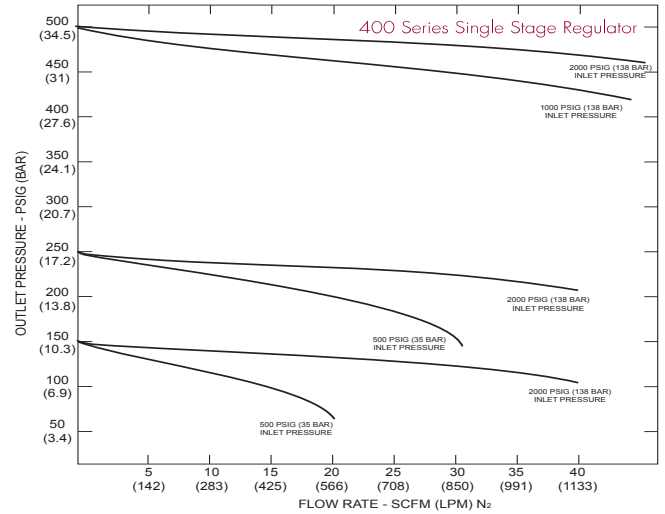
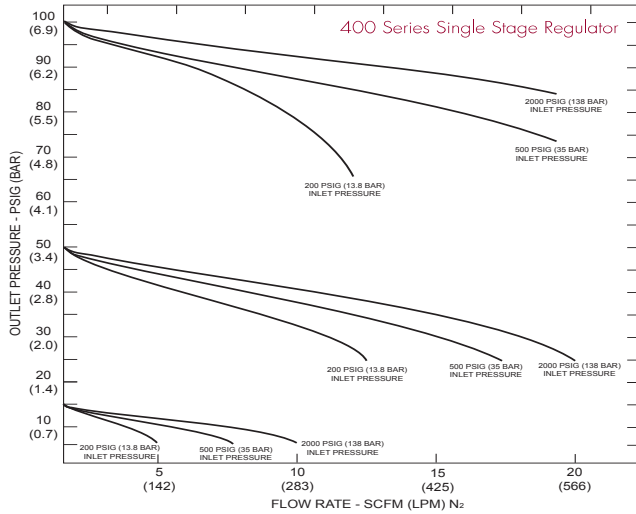
Specifications

<ul style="list-style-type: none"> • <i>Metal-to-metal diaphragm seal</i> No possibility of gas contamination • <i>Capsule® seat</i> Increased serviceability and life • <i>316L stainless steel diaphragm</i> No inboard diffusion • <i>Orientable captured vent capable</i> Safety in any installation • <i>Low wetted surface area</i> Minimal purge requirements • <i>Field-adjustable pressure limit</i> Safeguard downstream equipment • <i>Pipe away relief valve</i> Safely vents exhaust gases 	<p><i>Body</i> 316L stainless steel barstock</p> <p><i>Bonnet</i> Chrome-plated brass barstock</p> <p><i>Seat</i> PCTFE</p> <p><i>Filter</i> 10 micron stainless steel multi-layer mesh</p> <p><i>Diaphragm</i> 316L stainless steel</p> <p><i>Internal Seals</i> PTFE</p>	<p><i>Maximum Inlet Pressure</i> 4500 PSIG (310 BAR)</p> <p><i>Temperature Range</i> -40°F to 140°F (-40°C to 60°C)</p> <p><i>Ports</i> ¼" FPT</p> <p><i>Helium Leak Integrity</i> 1 x 10⁻⁹ scc/sec</p> <p><i>Cv</i> 0.1</p>
--	--	---

Controls Corporation of America, Inc.

1501 Harpers Road • Virginia Beach, Virginia 23454 USA • 1.800.225.0473 • 757.422.3125 • www.concoa.com

Flow Performance Curves



400 Series
Stainless Regulators

Ordering Information *(For information about how to use this table please see page 4.)*

426	A	B	C	D	-Inlet	Options
Series 426	Outlet Pressure 2: 0-50 3: 0-100 4: 0-250 5: 0-500 7: 0-150	Inlet Pressure 8: 4500 PSIG (310 BAR)	Outlet Assemblies 0: 1/4" FPT Port 1: 1/4" MPT 2: 1/4" Tube Fitting 3: Diaphragm Valve 1/4" Tube Fitting 4: Diaphragm Valve 1/4" MPT 5: Needle Valve 1/4" MPT 6: 1/8" Tube Fitting 7: 3/8" Tube Fitting 8: Diaphragm Valve 1/8" Tube Fitting 9: Diaphragm Valve 1/4" FPT M: 6mm Tube Fitting S: Diaphragm Valve 6mm Tube Fitting	Assembly 1: Standard Assembly 4: Cleanroom Assembly	Inlet Connections 000: 1/4" FPT TF2: 1/8" Tube TF4: 1/4" Tube TF6: 3/8" Tube M06: 6mm Tube	Installed Options A: Protocol Alarm Station (110V) B: Protocol Alarm Station (220V) M: Protocol Station S: SS Bonnet
Related Options		<ul style="list-style-type: none"> Panel Mount Kit (550-0002) Captured Vent Kit (550-0001) Helium Leak Certification (476-0002) Passivation for Fluorine Service 				