

405 Series Regulator

CRN OH 5216.5C

Single Stage
Brass Barstock Body
Four-Port Configuration
316L Stainless Steel Diaphragm

Advanced Features

- *Brass barstock body*
Smooth surface finish
- *Front and rear panel-mountable*
Versatile system configuration
- *Pressure ranges 0-15 to 0-500 PSIG*
Broad range of applications
- *3000 PSIG inlet pressure rating*
Safe use with high pressure cylinders

Typical Applications

- *Bulk gas distribution systems*
- *Gas and liquid chromatography*
- *High purity carrier gases*
- *Zero, span and calibration gases*
- *High purity chamber pressurization*
- *Liquefied hydrocarbon gas control*
- *Control of cryogenic gases*



405-2021 shown

The 405 Series regulators are intended for secondary pressure control of non-corrosive, high purity or liquefied gases or as point of use pressure control in high purity gas distribution systems.

400 Advantage

- *Metal-to-metal diaphragm seal*
No possibility of gas contamination
- *Capsule® seat*
Increased serviceability and life
- *316L stainless steel diaphragm*
No inboard diffusion
- *Orientable captured vent capable*
Safety in any installation
- *Low wetted surface area*
Minimal purge requirements
- *Field-adjustable pressure limit*
Safeguard downstream equipment
- *Pipe away relief valve*
Safely vents exhaust gases

Materials

Body
Brass barstock

Bonnet
Brass barstock

Seat
PTFE

Filter
10 micron sintered bronze

Diaphragm
316L stainless steel

Internal Seals
PTFE

Specifications

Maximum Inlet Pressure
3000 PSIG (210 BAR)

Temperature Range
-40°F to 140°F (-40°C to 60°C)

Gauge
2" diameter brass

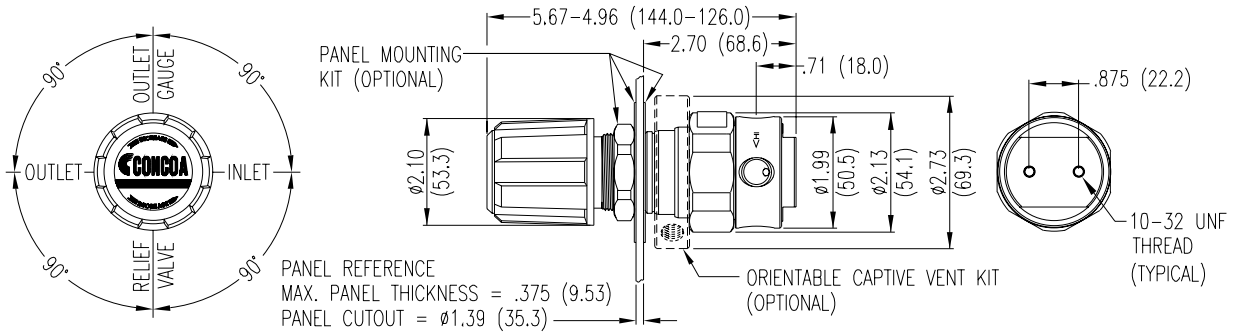
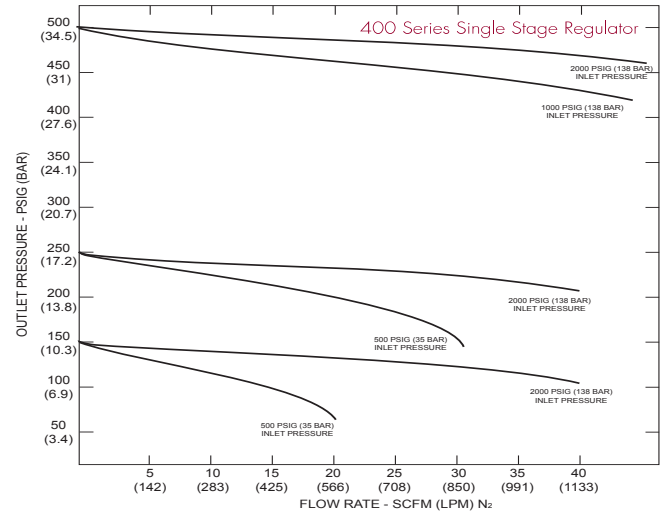
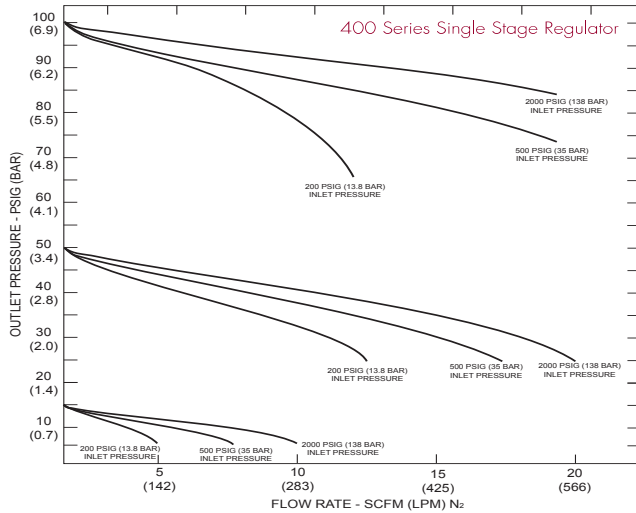
Ports
¼" FPT

Helium Leak Integrity
1 x 10⁻⁹ scc/sec

Cv
0.1 (Max outlet 50 PSIG or below)
0.2 (Max outlet above 50 PSIG)

Weight (405-2021-TF4)
2.71 lbs. (1.23 kg)

Flow Performance Curves



Ordering Information *(For information about how to use this table please see page 4.)*

405	A	B	C	D	-Inlet	Options
Series 405 Outlet Pressure 1: 0-15 2: 0-50 3: 0-100 4: 0-250 5: 0-500** 7: 0-150 **Standard assembly does not include relief valve	Outlet Gauge 30"-0-30 PSIG 30"-0-100 PSIG 30"-0-200 PSIG 0-400 PSIG 0-1000 PSIG 30"-0-200 PSIG	Inlet Gauge 0: None	Outlet Assemblies 0: ¼" FPT Port 1: ¼" MPT 2: ¼" Tube Fitting 3: Diaphragm Valve ¼" Tube Fitting 4: Diaphragm Valve ¼" MPT 5: Needle Valve ¼" MPT 6: ⅛" Tube Fitting 7: ⅜" Tube Fitting 8: Diaphragm Valve ⅛" Tube Fitting 9: Diaphragm Valve ¼" FPT M: 6mm Tube Fitting S: Diaphragm Valve 6mm Tube Fitting	Assembly/ Gauges 0: Bare Body 1: Standard Assembly (PSIG/kPa Gauges) 2: Standard Assembly (BAR/PSIG Gauges) 4: Cleanroom Assembly (PSIG/kPa Gauges) 5: Cleanroom Assembly (BAR/PSIG Gauges) 6: Mirror Image Assembly (PSIG/kPa Gauges) 7: Mirror Image Assembly (BAR/PSIG Gauges)	Inlet Connections 000: ¼" FPT TF2: ⅛" Tube TF4: ¼" Tube TF6: ⅜" Tube M06: 6mm Tube	Installed Options None
Related Options		<ul style="list-style-type: none"> Panel Mount Kit (550-0002) Captured Vent Kit (550-0001) Helium Leak Certification (476-0002) 				

400 Series Brass Regulators