

402 Series Regulator

CRN OH 5216.5C

Single Stage
Brass Barstock Body
Six-Port
Configuration
316L Stainless Steel
Diaphragm



402-1331 shown

The 402 Series regulators are intended for primary pressure control of non-corrosive, high purity or liquefied gases, or for applications where minor fluctuations in outlet pressure due to diminishing inlet supply can be tolerated.

Typical Applications

- Gas and liquid chromatography
- High purity carrier gases
- Zero, span and calibration gases
- High purity chamber pressurization
- Liquefied hydrocarbon gas control
- Control of cryogenic gases

Advanced Features

- Brass barstock body
Smooth surface finish
- Front and rear panel-mountable
Versatile system configuration
- Pressure ranges 0-15 to 0-500 PSIG
Broad range of applications

400 Advantage

Materials

Specifications

- *Metal-to-metal diaphragm seal*
No possibility of gas contamination
- *Capsule® seat*
Increased serviceability and life
- *316L stainless steel diaphragm*
No inboard diffusion
- *Orientable captured vent capable*
Safety in any installation
- *Low wetted surface area*
Minimal purge requirements
- *Field-adjustable pressure limit*
Safeguard downstream equipment
- *Pipe away relief valve*
Safely vents exhaust gases

Body
Brass barstock

Bonnet
Brass barstock

Seat
PTFE
PCTFE with 4500 PSIG inlet option

Filter
10 micron sintered bronze

Diaphragm
316L stainless steel

Internal Seals
PTFE

Maximum Inlet Pressure
3000 PSIG (210 BAR)
4500 PSIG (310 BAR) optional

Temperature Range
-40°F to 140°F (-40°C to 60°C)

Gauges
2" diameter brass

Ports
¼" FPT

Helium Leak Integrity
1 x 10⁻⁹ scc/sec

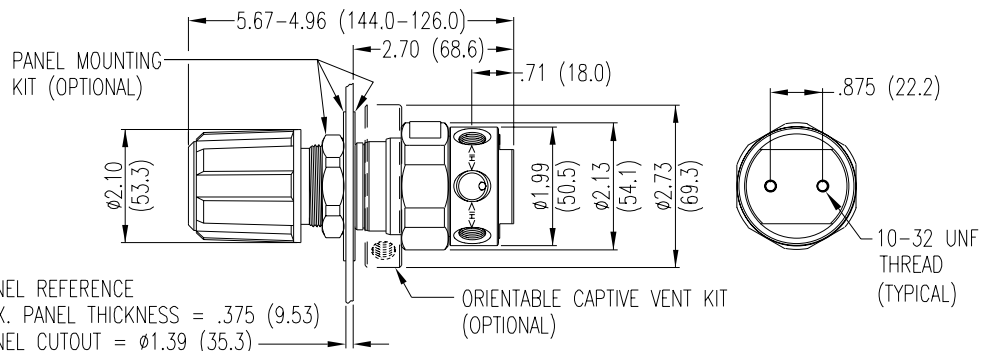
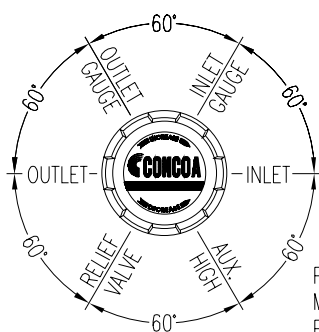
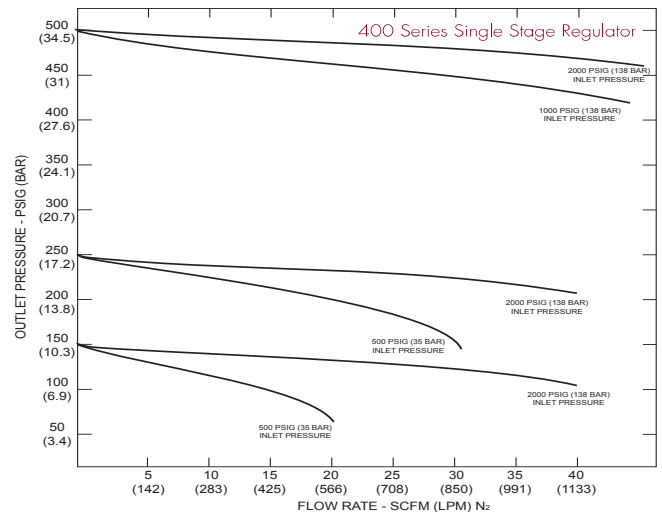
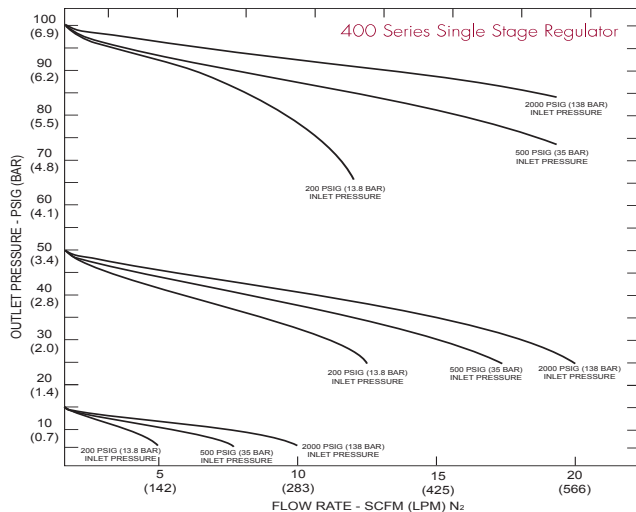
Cv
0.1

Weight (402-2331-580)
3.99 lbs. (1.81 kg)

Controls Corporation of America, Inc.

1501 Harpers Road • Virginia Beach, Virginia 23454 USA • 1.800.225.0473 • 757.422.3125 • www.concoa.com

Flow Performance Curves



PANEL REFERENCE
 MAX. PANEL THICKNESS = .375 (9.53)
 PANEL CUTOUT = ϕ 1.39 (35.3)

Ordering Information *(For information about how to use this table please see page 4.)*

402	A	B	C	D	-Inlet	Options
Series 402 Outlet Pressure 1: 0-15* 30"-0-30 PSIG 2: 0-50 30"-0-100 PSIG 3: 0-100 30"-0-200 PSIG 4: 0-250 0-400 PSIG 5: 0-500** 0-1000 PSIG 7: 0-150 30"-0-200 PSIG A: 0-15* 0-30 PSIG*** <i>*Not available with 4500 PSIG maximum inlet pressure</i> <i>**Standard assembly does not include relief valve</i> <i>*** With redline for acetylene use.</i>	Outlet Gauge 0: None 3: 0-4000 PSIG 5: 0-1000 PSIG 6: 0-300 PSIG 7: 0-400 PSIG 8: 0-6000 PSIG* <i>*Maximum inlet pressure 4500 PSIG (310 BAR) with PCTFE Seat Capsule</i>	Inlet Gauge 0: ¼" FPT Port 1: ¼" MPT 2: ¼" Tube Fitting 3: Diaphragm Valve ¼" Tube Fitting 4: Diaphragm Valve ¼" MPT 5: Needle Valve ¼" MPT 6: ⅛" Tube Fitting 7: ⅜" Tube Fitting 8: Diaphragm Valve ⅛" Tube Fitting 9: Diaphragm Valve ¼" FPT A: ⅜" BSP Right Hand Fitting M: 6mm Tube Fitting S: Diaphragm Valve 6mm Tube Fitting	Outlet Assemblies 0: Bare Body 1: Standard Assembly (PSIG/kPa Gauges) 2: Standard Assembly (BAR/PSIG Gauges) 4: Cleanroom Assembly (PSIG/kPa Gauges) 5: Cleanroom Assembly (BAR/PSIG Gauges) 6: Mirror Image PSI/KPA 7: Mirror Image BAR/PSIG Gauges	Assembly/ Gauges 000: ¼" FPT TF2: ⅛" Tube TF4: ¼" Tube TF6: ⅜" Tube M06: 6mm Tube CGA DIN 477 BS 341 and others available	Inlet Connections A: Protocol Alarm Station (110V) B: Protocol Alarm Station (220V) C: Protocol Switchover Station D: Deep Purge* G: Protocol Switchover Station with Alarm (110V) H: Protocol Switchover Station with Alarm (220V) M: Protocol Station <i>*Not available with 4500 PSIG max inlet pressure</i>	
Related Options		<ul style="list-style-type: none"> Panel Mount Kit (550-0002) Captured Vent Kit (550-0001) Helium Leak Certification (476-0002) 				

400 Series Brass Regulators