

# 1400 Series Specialized Use Regulator



## Ultra High Pressure Delivery

### Features

- Positive Seat Stop
- High cycle life
  - *Installation flexibility*
- PTFE Piston O-Ring Seals
  - *Accurate pressure control*

### Material

- Brass Bar Stock Body
- PTFE, PEEK and PCTFE Seats\*
- 25 Micron Bronze Capsule® Filter

### Specification

- 3000/4000/5500/6000 PSI Max Inlets
- Temperature Range -40° to 140°F (-40° to 60°C)

\* Seat material depends on model's PSI range



**5 YEAR WARRANTY**  
The CONCOA Capsule® is warranted for five years to be free of defects in materials and workmanship.

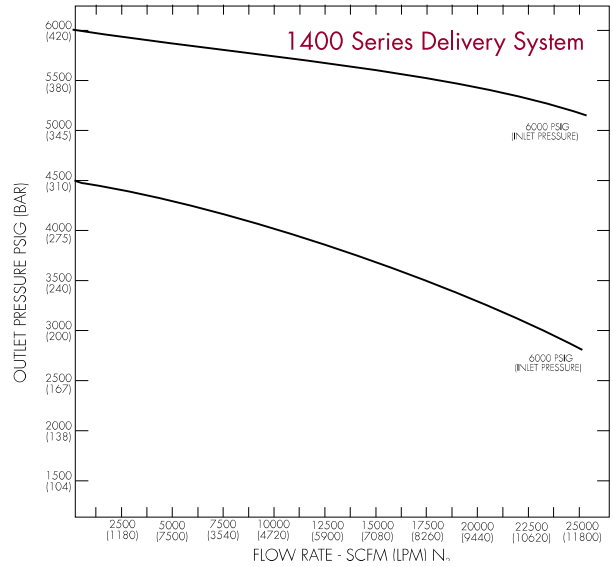
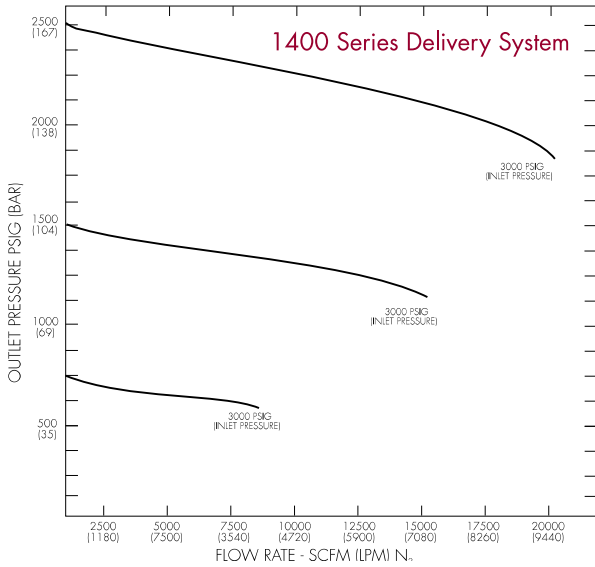
Stock Number	Gas Service	Delivery Pressure/Gauge	Max Inlet Pressure/Gauge	Outlet Connection	Inlet CGA
806-1416 (PT)	Oxygen	0-1500 PSIG/4000 PSIG	3000 PSIG/4000 PSIG	1/4" SS Tube Fitting	CGA 540
806-1436 (PT)	Oxygen	0-2500 PSIG/4000 PSIG	3000 PSIG/4000 PSIG	1/4" SS Tube Fitting	CGA 540
806-1426 (PC)	Oxygen	0-1500 PSIG/4000 PSIG	4000 PSIG/6000 PSIG	1/4" SS Tube Fitting	CGA 577
806-1446 (PC)	Oxygen	0-2500 PSIG/4000 PSIG	4000 PSIG/6000 PSIG	1/4" SS Tube Fitting	CGA 577
806-1415 (PT)	Inerts	0-1500 PSIG/4000 PSIG	3000 PSIG/4000 PSIG	1/4" SS Tube Fitting	CGA 580
806-1435 (PT)	Inerts	0-2500 PSIG/4000 PSIG	3000 PSIG/4000 PSIG	1/4" SS Tube Fitting	CGA 580
806-1425 (PC)	Inerts	0-1500 PSIG/4000 PSIG	5500 PSIG/6000 PSIG	1/4" SS Tube Fitting	CGA 680
806-1445 (PC)	Inerts	0-4500 PSIG/6000 PSIG	5500 PSIG/6000 PSIG	1/4" SS Tube Fitting	CGA 680
806-1455 (PC)	Inerts	0-2500 PSIG/4000 PSIG	5500 PSIG/6000 PSIG	1/4" SS Tube Fitting	CGA 680
806-1461 (K)	Inerts	0-1500 PSIG/4000 PSIG	6000 PSIG/10000 PSIG	1/4" SS Tube Fitting	CGA 677
806-1462 (K)	Inerts	0-2500 PSIG/4000 PSIG	6000 PSIG/10000 PSIG	1/4" SS Tube Fitting	CGA 677
806-1465 (K)	Inerts	0-4500 PSIG/6000 PSIG	6000 PSIG/10000 PSIG	1/4" SS Tube Fitting	CGA 677
806-1466 (K)	Inerts	0-6000 PSIG/10000 PSIG	6000 PSIG/10000 PSIG	1/4" SS Tube Fitting	CGA 677
806-1418 (PT)	Air	0-1500 PSIG/4000 PSIG	3000 PSIG/4000 PSIG	1/4" SS Tube Fitting	CGA 346
806-1438 (PT)	Air	0-2500 PSIG/4000 PSIG	3000 PSIG/4000 PSIG	1/4" SS Tube Fitting	CGA 346
806-1419 (PT)	Air	0-1500 PSIG/4000 PSIG	3000 PSIG/4000 PSIG	1/4" SS Tube Fitting	CGA 590
806-1439 (PT)	Air	0-2500 PSIG/4000 PSIG	3000 PSIG/4000 PSIG	1/4" SS Tube Fitting	CGA 590
806-1428 (PC)	Air	0-1500 PSIG/4000 PSIG	5500 PSIG/6000 PSIG	1/4" SS Tube Fitting	CGA 347
806-1448 (PC)	Air	0-4500 PSIG/6000 PSIG	5500 PSIG/6000 PSIG	1/4" SS Tube Fitting	CGA 347
806-1458 (PC)	Air	0-2500 PSIG/4000 PSIG	5500 PSIG/6000 PSIG	1/4" SS Tube Fitting	CGA 347
806-1411 (PT)	Hydrogen or Methane	0-1500 PSIG/4000 PSIG	3000 PSIG/4000 PSIG	1/4" SS Tube Fitting	CGA 350
806-1431 (PT)	Hydrogen or Methane	0-2500 PSIG/4000 PSIG	3000 PSIG/4000 PSIG	1/4" SS Tube Fitting	CGA 350
806-1421 (PC)	Hydrogen or Methane	0-1500 PSIG/4000 PSIG	5500 PSIG/6000 PSIG	1/4" SS Tube Fitting	CGA 695
806-1441 (PC)	Hydrogen or Methane	0-4500 PSIG/6000 PSIG	5500 PSIG/6000 PSIG	1/4" SS Tube Fitting	CGA 695
806-1451 (PC)	Hydrogen or Methane	0-2500 PSIG/4000 PSIG	5500 PSIG/6000 PSIG	1/4" SS Tube Fitting	CGA 695

(PT) PTFE (K) PEEK (PC) PCTFE



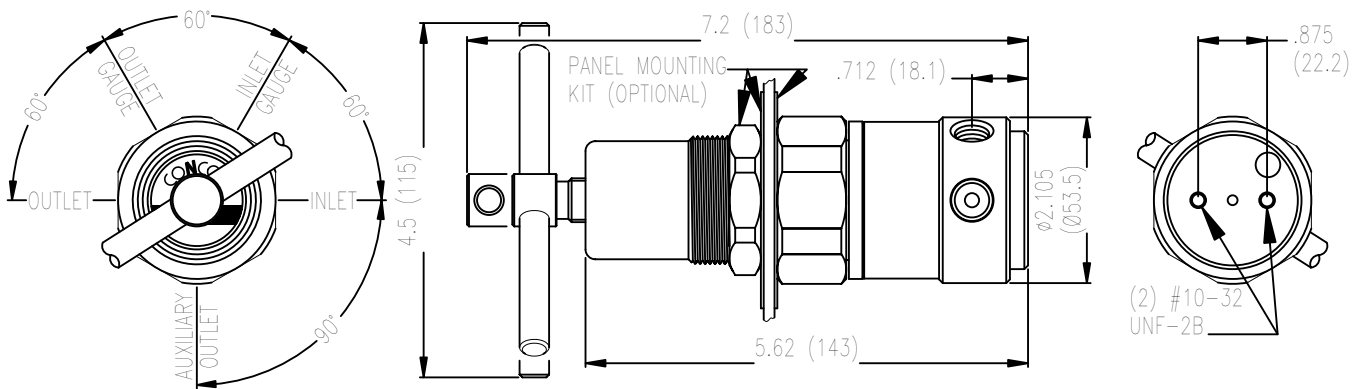
# 1400 Series Specialized Use Regulator

## Flow Performance Curves



Specialized Use

## Technical and Mounting Information



830-6483 Panel Mount Kit Available